

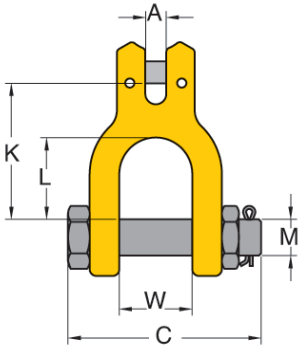


Grade 80 Clevis Shackle

Product Specification Sheet

Manufactured to BS EN 1677-1+2

Deutsch BG-Prufert Type
Approval for Grade 80 Lifting Chain
Components with H91 Certified

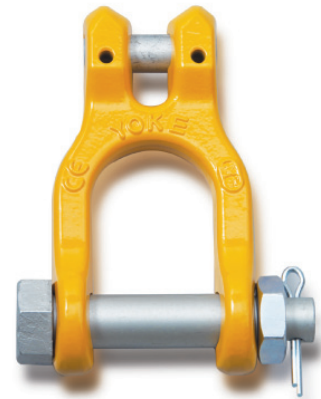


DIMENSIONAL SPECIFICATIONS

Part Code	Chain Size mm	Dimensions mm						
		A	K	L	W	G	M	C
8-066-07	7,8	9	59	35	33	34	16	79
8-066-10	10	11	78	48	37	40	20	93
8-066-13	13	14	98	64	49	44	22	118
8-066-16	16	18	112	69	60	54	28	141

TECHNICAL SPECIFICATIONS

Part Code	Chain Size mm	W.L.L. tonnes	Proof Load kN	M.B.L. kN	Mass Kg
8-066-07	7,8	2.0	49.0	78.4	0.4
8-066-10	10	3.15	77.2	123.0	0.8
8-066-13	13	5.3	130.0	208.0	1.4
8-066-16	16	8.0	196.0	314.0	2.5



Customers purchasing GRADE 80 CLEVIS SHACKLE may also require:

LOAD PIN KITS



Part Code	Chain Size (mm)
8-P026-07	7
8-P026-10	10
8-P026-13	13
8-P026-16	16

Ivy Farm Workshops • High Street • Coddendam • Ipswich • Suffolk IP6 9QX

Tel: 01449 761705

Email: lifting@bickerslifting.co.uk • Web: www.bickerslifting.co.uk