

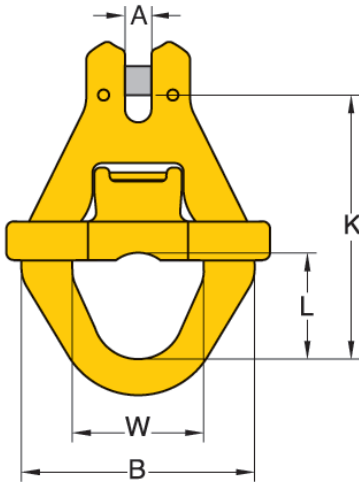


Grade 80 Clevis Skip Hook with Spring Gate

Product Specification Sheet

Manufactured to BS EN 1677-1+2

Deutsch BG-Prufzert Type
Approval for Grade 80 Lifting Chain
Components with H91 Certified



DIMENSIONAL SPECIFICATIONS

Part Code	Chain Size mm	Dimensions mm				
		A	K	L	W	B
8-069-13	13	14	141	57	65	125

TECHNICAL SPECIFICATIONS

Part Code	Chain Size mm	W.L.L. tonnes	Proof Load kN	M.B.L. kN	Mass Kg
8-069-13	13	5.3	130.0	208.0	1.8



Customers purchasing GRADE 80 CLEVIS SKIP HOOK WITH SPRING GATE may also require:

SKIP HOOK LATCH



Part Code	Chain Size (mm)
8-P069-13	13

Ivy Farm Workshops • High Street • Coddendam • Ipswich • Suffolk IP6 9QX

Tel: 01449 761705

Email: lifting@bickerslifting.co.uk • Web: www.bickerslifting.co.uk